



The First Fully-Built Quicksilver Sport Plane

SPORT 2SE *(E as in enjoy)*

READY TO FLY, READY TO ENJOY



Quicksilver Sport 2SE SLSA is a ready-to-fly option for Pilots who do not want to build their own plane and want to enjoy flying immediately.

This Fully-Built aircraft completed an entire ASTM Design & Performance standard test matrix and an strict flight test regimen required to comply with ASTM industry standards in order to gain the FAA approval.

This category makes the Sport 2SE suitable for recreational flying, training purposes and demo flights, a great option for Aviation Schools!



- 1** Rotax 582, Liquid cooled with integrated water pump, Dual Carb, Two cycle, Two Cylinder, Rotary Valve **2** 3 Blade 72" Composite Warp Drive Propeller with Tapered Blades
3 Electric Start with Gearbox **4** 12 Gallons Fuel Tank **5** EIS and Flight Deck **6** **Fully-Built Aircraft Ready to Fly & Enjoy**



- 1 Reinforced Landing Gear
- 2 Reinforced Push-Pull Elevator Tube
- 3 Tapered 3 Blade Composite Propeller for Longer Engine Life
- 4 Hydraulic Wheel Brakes
- 5 Engine Instrument System
- 6 Flight Instrumentation Deck

SPORT 2SE SLSA

SPECIFICATIONS

582 UL DCDI

No. Of Cylinders	2
Displacement	580.7 cc
Horsepower	64.4 hp
Recommended TBO	300 hrs
Propeller	72 in

GENERAL

Length	18 ft 3 in
Height	8 ft 1/2 in
Wingspan	30 ft 11 in
Wing area	174.1 sq ft
Wing loading	5.74 lb/sq ft
Power loading	15.53 lb/hp
Seats	2

PERFORMANCE

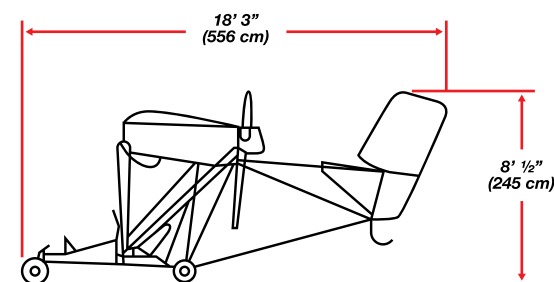
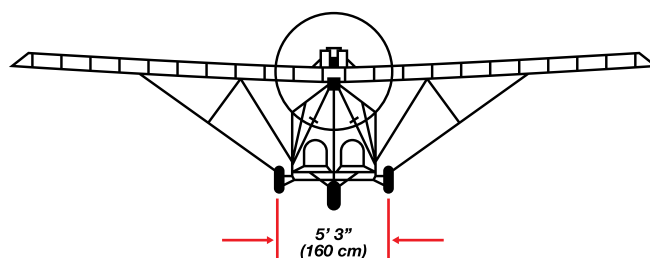
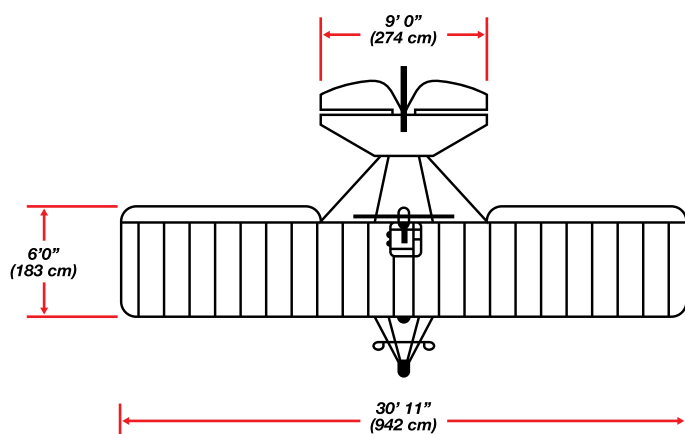
Take off distance/50 ft obs	340/650 ft
Rate of climb	430 ft/min
Max level speed, sea level	61 mph
Stall speed (Power off)	35 mph
Max operating altitude	12,500 ft
Landing distance/50 ft obs	280/580 ft
Glide ratio	5.5:1

SPORT 2SE

Special Light Sport Aircraft

The Quicksilver Sport 2SE SLSA is a fully-built aircraft manufactured in a world-class environment where special attention has been placed in engineering, testing and robust quality systems. Quicksilver Aeronautics offers complete factory and dealer support to help make your flying experience enjoyable.

This Quicksilver aircraft is a strutted, open cockpit, side-by-side two seater in 5 different color combinations to **Fly & Enjoy!**



Quicksilver Aeronautics LLC
 42214 Sarah Way, Temecula, CA 92590 USA
 Telephone: (951) 506-0061
 Fax: (951) 506-1589
 E-mail: sales@qsair.com



www.quicksilveraircraft.com